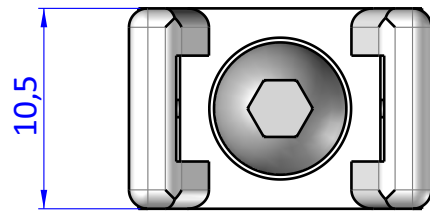
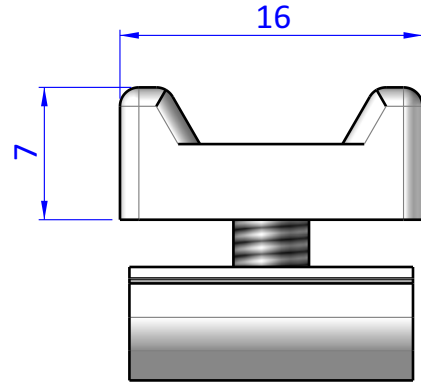
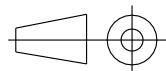
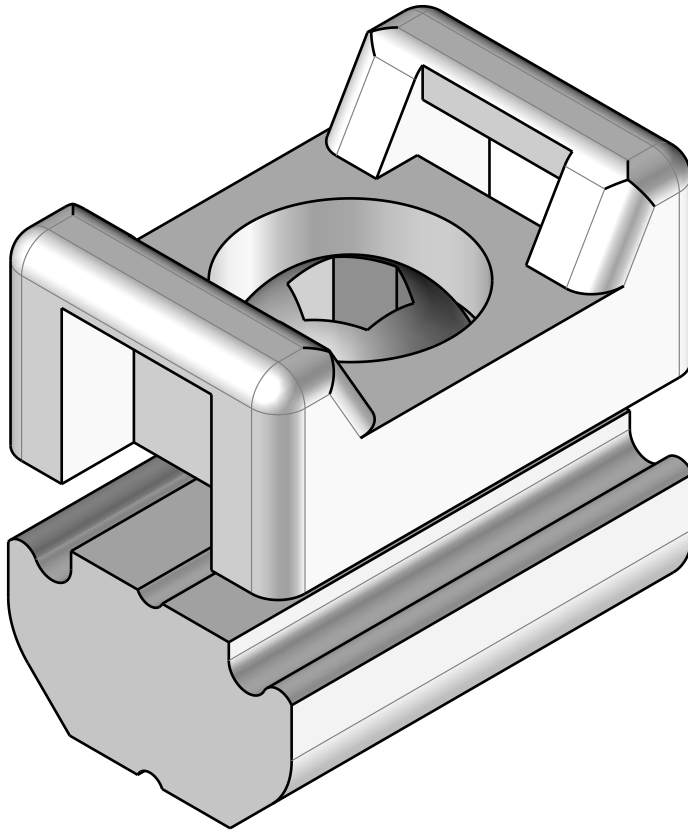


THE PROPERTY OF THE DRAWING IS ESTABLISHED BY LAW. IT IS FORBIDDEN TO PRODUCE OR SHOW IT TO THIRD PART. WITHOUT A WRITTEN AGREEMENT.

Item	Name	Q.ty
1	CA.PAN.01	10



x10



DESIGNED FROM	FPS Automation		REVIEW
DATE	28/07/2022	WEIGHT	A
CODE	KIT.PAN.01		
		0,080kg	

Format A4

UNI 936-76

GENERAL TOLERANCE

UNI - ISO 2768

CLASSE f

DESCRIPTION

KIT.PAN.01